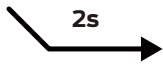


## Instructions

### POWER ON/OFF

Push and hold  
2 seconds



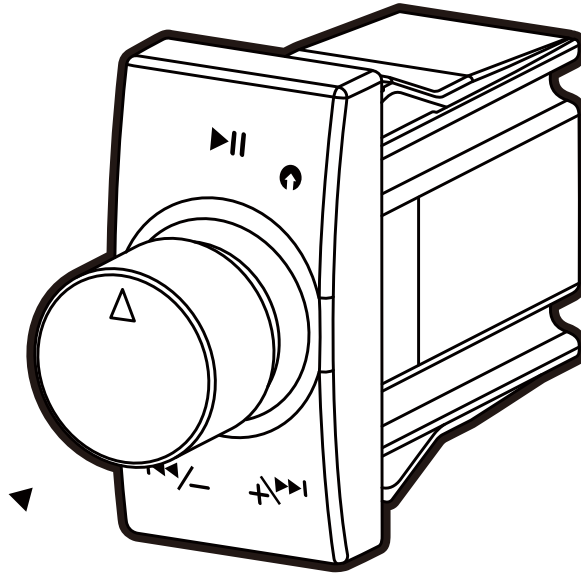
### PLAY/PAUSE

Push once



### TOGGLE AUX / BLUETOOTH

Push 2X



### VOLUME DOWN

Turn left and hold



### VOLUME UP

Turn right and hold



### PREVIOUS TRACK

Quick turn left

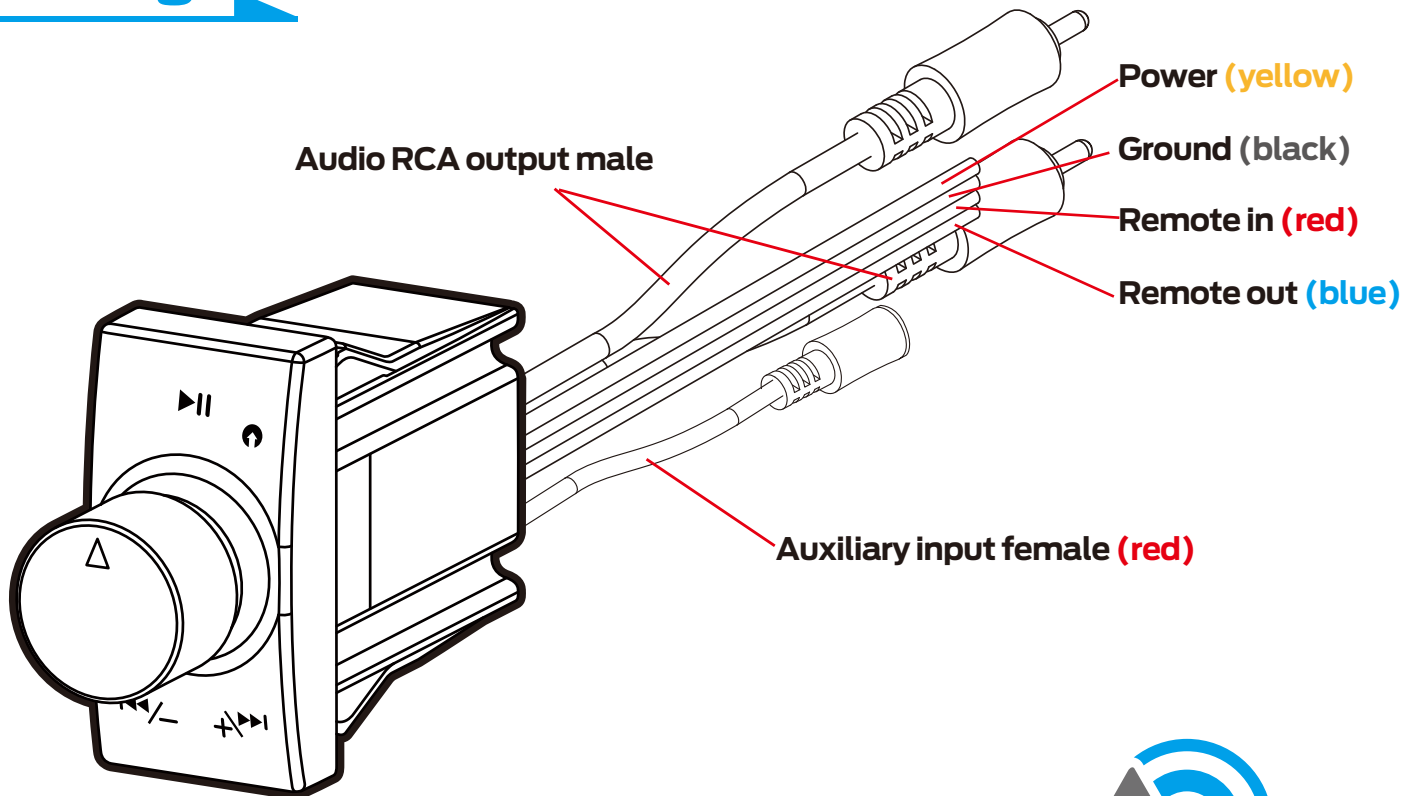


### NEXT TRACK


Quick turn right



## Wiring




## Turning Unit - ON / OFF

- Connect Yellow Wire (B+) 12V Battery and Black Wire (B-) 12V Ground securely.
- Press  button and hold it for over 3 seconds until you see the blue LED light goes out (OFF) or stays lit for (ON).


## Pairing Bluetooth® Device

- Go to settings on your phone and place Bluetooth® setting into “discoverable” mode.
- Search for ( BTR13 ) device.
- On phone select ( BTR13 ) to pair device.
- Once a device is paired each time this device is seen by the BTR13 it will automatically reconnect to the device. If no device is present the BTR13 automatically goes into pairing mode and will present itself as discoverable for the next device present.

## Ignition / Accessory / Remote Amp Trigger

- Connect the Red to the Ignition/Accessory wire from the head unit or other Power ON/OFF switching. When BTR13 is used in this method the ON/OFF switching built into the device is by-passed and will not function. Unit will be turned ON/OFF via the head unit or other controller.
- Connect the Blue/White Stripe (Remote out trigger) to the amplifier remote trigger to turn the amplifier ON/OFF via the BTR13 . When you press  button and hold it for longer than 3 seconds the BTR13 will turn ON or OFF and will also turn the amplifier ON or OFF.

## AUX Input / Output

- Connect AUX Input with any media player.
- Connect AUX output to amplifier.
- Double tap  button rapidly to switch between Bluetooth® source and AUX input source.
- When using the AUX input source the volume control in the BTR13 is by-passed and you will use the volume control on the alternate source.

## Trouble Shooting Guide

- Make sure volume is up on bluetooth sources.
- Confirm Pairing if no sound.
- Power ON/OFF will only work when the Yellow Power Wire is connected. If you connect the Red Power Wire it by-passes the Power ON/OFF function. If you want to manually turn the power ON/OFF you need to only connect the Yellow Power Wire.
- If you want the device to power up and power down automatically (and by-pass the ON/OFF switching) you will need to connect the Red Power Wire to the ignition or to a switched power source.

